



S2-A120M

MONO POWER AMPLIFIER

S2-A60M

MONO POWER AMPLIFIER

- **OWNER'S MANUAL**
Please read before using this equipment.
- **BEDIENUNGSANLEITUNG**
Lesen Sie diese Bedienungsanleitung bitte vor Gebrauch des Gerätes.
- **MODE D'EMPLOI**
Veuillez lire avant d'utiliser cet appareil.
- **MANUAL DE OPERACIÓN**
Léalo antes de utilizar este equipo.
- **ISTRUZIONI PER L'USO**
Si prega di leggere prima di utilizzare il attrezzatura.
- **ANVÄNDARHANDLEDNING**
Innan du använder utrustningen bör du läsa igenom denna användarhandledning.
- **РУКОВОДСТВО ПО ЭКСПЛУАТАЦИИ**
Прочтите настоящее руководство перед началом использования оборудования.

EN

DE

FR

ES

IT

SE

RU

CONTENTS

| | |
|------------------------------------|----|
| WARNING..... | 1 |
| SERVICE CARE | 2 |
| ACCESSORIES | 3 |
| INSTALLATION..... | 3 |
| ATTACHING THE TERMINAL COVERS..... | 3 |
| CONNECTIONS | 4 |
| CONNECTION CHECK LIST..... | 8 |
| SWITCH SETTINGS..... | 9 |
| SYSTEM DIAGRAMS | 11 |
| SPECIFICATIONS..... | 16 |

WARNING

Points to Observe for Safe Usage

Read this manual carefully before using the system components. They contain instructions on how to use this product in a safe and effective manner. Alpine cannot be responsible for problems resulting from failure to observe the instructions in this manual.

WARNING

This symbol means important instructions. Failure to heed them can result in serious injury or death.

DO NOT OPERATE ANY FUNCTION THAT TAKES YOUR ATTENTION AWAY FROM SAFELY DRIVING YOUR VEHICLE.

Any function that requires your prolonged attention should only be performed after coming to a complete stop. Always stop the vehicle in a safe location before performing these functions. Failure to do so may result in an accident.

KEEP THE VOLUME AT A LEVEL WHERE YOU CAN STILL HEAR OUTSIDE NOISES WHILE DRIVING.

Excessive volume levels that obscure sounds such as emergency vehicle sirens or road warning signals (train crossings, etc.) can be dangerous and may result in an accident. LISTENING AT LOUD VOLUME LEVELS IN A CAR MAY ALSO CAUSE HEARING DAMAGE.

DO NOT DISASSEMBLE OR ALTER.

Doing so may result in an accident, fire or electric shock.

USE THIS PRODUCT FOR MOBILE 12V APPLICATIONS.

Use for other than its designed application may result in fire, electric shock or other injury.

USE THE CORRECT AMPERE RATING WHEN REPLACING FUSES.

Failure to do so may result in fire or electric shock.

DO NOT BLOCK VENTS OR RADIATOR PANELS.

Doing so may cause heat to build up inside and may result in fire.

MAKE THE CORRECT CONNECTIONS.

Failure to make the proper connections may result in fire or product damage.

USE ONLY IN CARS WITH A 12 VOLT NEGATIVE GROUND.

(Check with your dealer if you are not sure.) Failure to do so may result in fire, etc.

BEFORE WIRING, DISCONNECT THE CABLE FROM THE NEGATIVE BATTERY TERMINAL.

Failure to do so may result in electric shock or injury due to electrical shorts.

DO NOT ALLOW CABLES TO BECOME ENTANGLED IN SURROUNDING OBJECTS.

Arrange wiring and cables in compliance with the manual to prevent obstructions when driving. Cables or wiring that obstruct or hang up on places such as the steering wheel, gear lever, brake pedals, etc. can be extremely hazardous.

DO NOT SPLICE INTO ELECTRICAL CABLES.

Never cut away cable insulation to supply power to other equipment. Doing so will exceed the current carrying capacity of the wire and result in fire or electric shock.

DO NOT DAMAGE PIPE OR WIRING WHEN DRILLING HOLES.


When drilling holes in the chassis for installation, take precautions so as not to contact, damage or obstruct pipes, fuel lines, tanks or electrical wiring. Failure to take such precautions may result in fire.

DO NOT USE BOLTS OR NUTS IN THE BRAKE OR STEERING SYSTEMS TO MAKE GROUND CONNECTIONS.

Bolts or nuts used for the brake or steering systems (or any other safety-related system), or tanks should NEVER be used for installations or ground connections. Using such parts could disable control of the vehicle and cause fire etc.

KEEP SMALL OBJECTS SUCH AS BATTERIES OUT OF THE REACH OF CHILDREN.

Swallowing them may result in serious injury. If swallowed, consult a physician immediately.

| | |
|---|--|
|  CAUTION | This symbol means important instructions. Failure to heed them can result in injury or property damages. |
|---|--|

HALT USE IMMEDIATELY IF A PROBLEM APPEARS.

Failure to do so may cause personal injury or damage to the product. Return it to your authorized Alpine dealer or the nearest Alpine Service Center for repairing.

HAVE THE WIRING AND INSTALLATION DONE BY EXPERTS.

The wiring and installation of this unit requires special technical skill and experience. To ensure safety, always contact the dealer where you purchased this product to have the work done.

USE SPECIFIED ACCESSORY PARTS AND INSTALL THEM SECURELY.

Be sure to use only the specified accessory parts. Use of other than designated parts may damage this unit internally or may not securely install the unit in place. This may cause parts to become loose resulting in hazards or product failure.

ARRANGE THE WIRING SO IT IS NOT CRIMPED OR PINCHED BY A SHARP METAL EDGE.

Route the cables and wiring away from moving parts (like the seat rails) or sharp or pointed edges. This will prevent crimping and damage to the wiring. If wiring passes through a hole in metal, use a rubber grommet to prevent the wire's insulation from being cut by the metal edge of the hole.

DO NOT INSTALL IN LOCATIONS WITH HIGH MOISTURE OR DUST.

Avoid installing the unit in locations with high incidence of moisture or dust. Moisture or dust that penetrates into this unit may result in product failure.

SERVICE CARE

◆ IMPORTANT NOTICE

This Amplifier has been type tested and found to comply with the limits for a Class B computing device in accordance with the specifications in Subpart J of Part 15 of FCC Rules. This equipment generates and uses radio frequency energy, and it must be installed and used properly in accordance with the manufacturer's instructions.

| |
|--------------------------------|
| SERIAL NUMBER: _____ |
| INSTALLATION DATE: _____ |
| INSTALLATION TECHNICIAN: _____ |
| PLACE OF PURCHASE: _____ |

◆ IMPORTANT

Please record the serial number of your unit in the space provided here and keep it as a permanent record. The serial number plate is located on the rear of the unit.

◆ For European Customers

Should you have any questions about warranty, please consult your store of purchase.

◆ For Customers in other Countries**IMPORTANT NOTICE**

Customers who purchase the product with which this notice is packaged, and who make this purchase in countries other than the United States of America and Canada, please contact your dealer for information regarding warranty coverage.

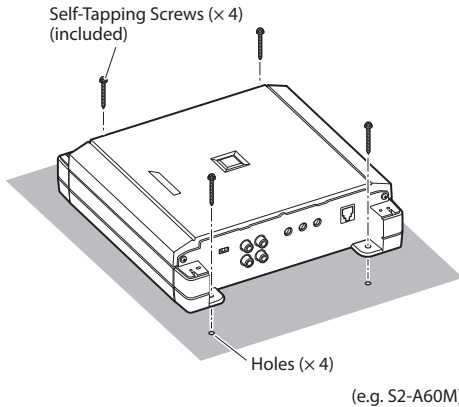
ACCESSORIES

- Self-Tapping Screw4
- Hexagon Wrench.....1

INSTALLATION

Due to the high power output of the S2-A120M/ S2-A60M considerable heat is produced when the amplifier is in operation. For this reason, the amplifier should be mounted in a location which will allow for free circulation of air, such as inside the trunk. For alternate installation locations, please contact your authorized Alpine dealer.

1. Using the amplifier as a template, mark the four screw locations.
2. Make sure there are no objects behind the surface that may become damaged during drilling.
3. Drill the screw holes.
4. Position the S2-A120M/S2-A60M over the screw holes, and secure with four self-tapping screws.

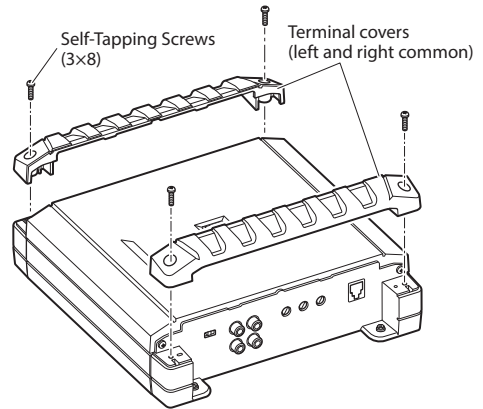


ATTACHING THE TERMINAL COVERS

Attach the terminal covers (included) after connections and confirmation of correct operation. Attaching the terminal covers will improve the appearance of the unit.

How to attach the terminal covers:

Attach the left and right terminal covers using the supplied Self-Tapping Screws (3x8), as shown in the figure below.



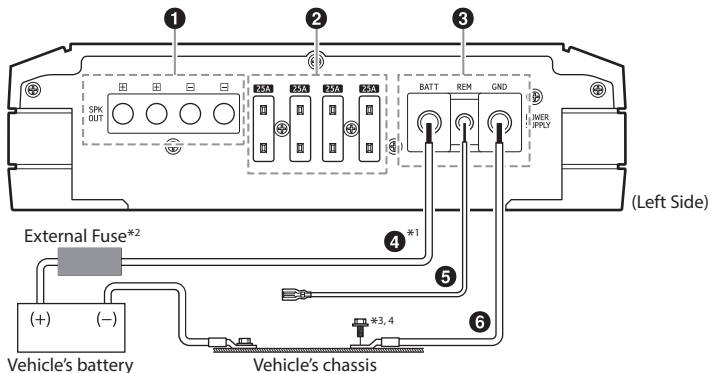
CAUTION

Do not lift or carry the unit by the attached terminal covers.

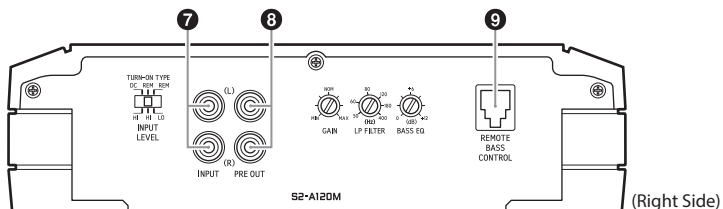
CONNECTIONS

Before making connections, be sure to turn the power off to all audio components.

S2-A120M

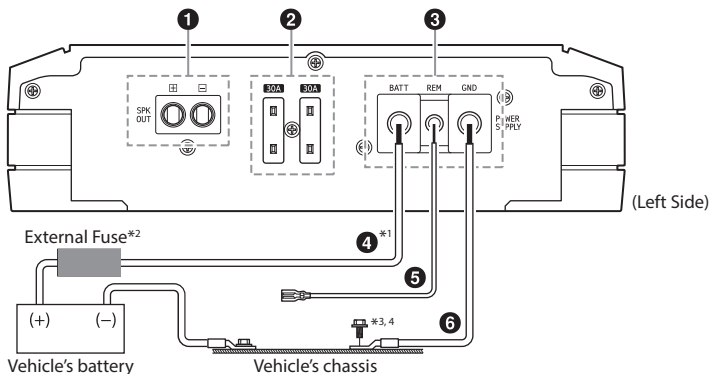


(Left Side)

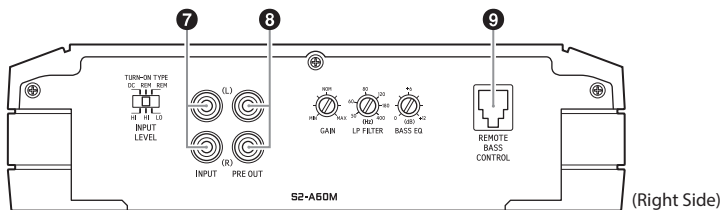


(Right Side)

S2-A60M



(Left Side)



(Right Side)

- *1 For details on the wires size to be used, refer to the supplied "Cautions on Power Supply Wires Connection" and "Cautions on Power Supply Wires" (page 15), and then use the wire of the specified size.
- *2 Be sure to add an External Fuse (e.g. Fuse Block, Circuit Breaker) with the battery lead as close as possible to the battery's positive (+) terminal. Add an external fuse with the same capacity, or a slightly larger capacity, as the sum total of the fuse capacities of the amplifier.
For details on the fuse capacity of this machine, see "Battery Lead (4)" (page 6).
- *3 Connect all equipment to the same ground point while keeping wire length as short as possible.
- *4 To securely connect the ground lead, use an already installed screw.

To prevent external noise from entering the audio system

- Locate the unit and route the leads at least 10 cm (4") away from the vehicle's harness.
- Keep the battery power leads as far away from other leads as possible.
- Connect the ground lead securely to a bare metal spot (remove any paint or grease if necessary) of the vehicle's chassis.
- If you add an optional noise suppressor, connect it as far away from the unit as possible. Your Alpine dealer carries various noise suppressors, contact them for further information.
- Your Alpine dealer knows best about noise prevention measures so consult your dealer for further information.

1 Speaker Output Terminals

Connect the Speaker Output Lead (+) / (-) using the Hexagon hole screw of the Speaker Output Terminals (1).

- For details on how to connect, see "Cautions on wire lead connections" (page 7).

Be sure to observe correct speaker output connections and polarity in relation to the other speakers in the system. Connect the positive output to the positive speaker terminal and the negative to negative.

About Subwoofer Input/Output

- The input is stereo but the output is monaural.
- Reversing subwoofer polarity (swapping positive and negative connections to the subwoofer) may be desirable in some installations for optimum bass performance.

NOTE:

- Do not connect the speaker (-) terminal to the vehicle's chassis.

2 Fuse

S2-A120M 25 A × 4
S2-A60M 30 A × 2

USE THE CORRECT AMPERE RATING WHEN REPLACING FUSES.

Failure to do so may result in fire or electric shock.

3 Power Supply Terminal

Connect the Battery Lead (4), Remote Turn-on Lead (5), and Ground Lead (6) using the Hexagon hole screw of the Power Supply Terminal (3).

- For details on how to connect, see "Cautions on wire lead connections" (page 7).

4 Battery Lead (sold separately)

Be sure to add an External Fuse (e.g. Fuse Block, Circuit Breaker) with the battery lead as close as possible to the battery's positive (+) terminal. This fuse will protect your vehicle's electrical system in case of a short circuit. See below for appropriate fuse value requirement:

S2-A120M 100 amp fuse
S2-A60M 60 amp fuse

- For details on the wires size to be used, refer to the supplied "Cautions on Power Supply Wires Connection" and "Cautions on Power Supply Wires" (page 15), and then use the wire of the specified size.

5 Remote Turn-On Lead (sold separately)

Connect this lead to the remote turn-on (positive trigger, (+) 12 V only) lead of your head unit. If a remote turn-on lead is not available, see "CONNECTION CHECK LIST" section on page 8 for alternative method.

- When connecting the speaker output leads of the head unit to this unit with a Speaker-RCA Conversion cable (sold separately), you do not need to connect the remote turn-on lead, owing to the "REMOTE SENSING" function of this unit. However, the "REMOTE SENSING" function may not work depending on the signal source connected. In such a case, connect the remote turn-on lead to an incoming power supply cord (accessory power) in the ACC position.

6 Ground Lead (sold separately)

Connect this lead securely to a clean, bare metal spot on the vehicle's chassis. Verify this point to be a true ground by checking for continuity between that point and the negative (-) terminal of the vehicle's battery. Ground all your audio components to the same point on the chassis to prevent ground loops while keeping wire length as short as possible.

- For details on the wires size to be used, refer to the supplied "Cautions on Power Supply Wires Connection" and "Cautions on Power Supply Wires" (page 15), and then use the wire of the specified size.

7 RCA Input Jacks

Connect these jacks to the line out leads on your head unit using RCA extension cables or Speaker-RCA Conversion cable (sold separately). Be sure to observe correct channel connections; Left to Left and Right to Right.

8 Pre-Out Jacks

These jacks provide a line level output. This is an ideal output for driving a second subwoofer amp. This output is full-range, and is not affected by the crossover.

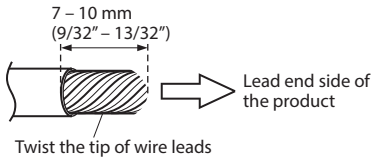
9 Remote Bass Control (optional)

Connect the Remote Bass Control Unit RUX-KNOB.2 (sold separately) to adjust the output level remotely. This is not to replace appropriate gain level setting between the amplifier and head unit.

Cautions on wire lead connections

When using third-party wire cables (power supply wire), use the supplied screws to simplify the connection. Refer to the description below for the proper procedure. If you are in doubt about how to make this connection, consult your dealer.

1. Check the wire size.
 - For details on the wires size to be used, refer to the supplied "Cautions on Power Supply Wires Connection" and "Cautions on Power Supply Wires" (page 15), and then use the wire of the specified size.
 - If the wire gauge used is unknown, ask your dealer.
2. Remove the insulation from the ends of the wire leads by about 7 – 10 mm (9/32" – 13/32").

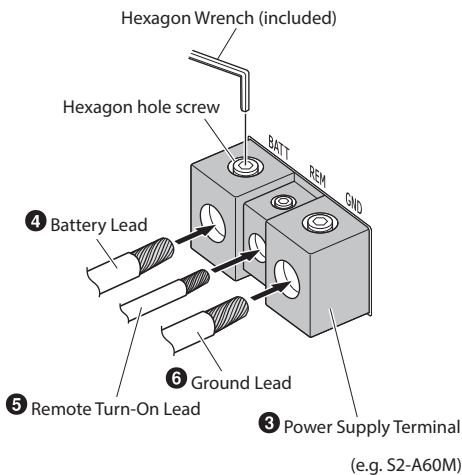


NOTES:

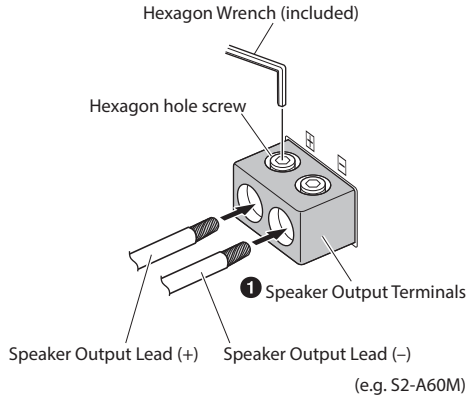
- If length of the exposed wire is too short, a poor connection may occur causing operation failure or sound interruption.
 - On the other hand, if the length is too long, an electrical short-circuit may occur.
3. Tighten the hexagon hole screw with the hexagon wrench (included) to secure the lead.

Before making this connection, use insulated shrink tubing to cover any exposed wire extending beyond the terminal.

Power Supply Terminal



Speaker Output Terminals



NOTES:

- Be sure to use the Hexagon hole screw attached to the Power Supply Terminal (3) or Speaker Output Terminals (1).
- For safety reasons, connect the battery leads last.
- To prevent disconnection of the leads or dropping of the unit, do not use the cabling to carry the unit.

CONNECTION CHECK LIST

Please check your head unit for the conditions listed below:

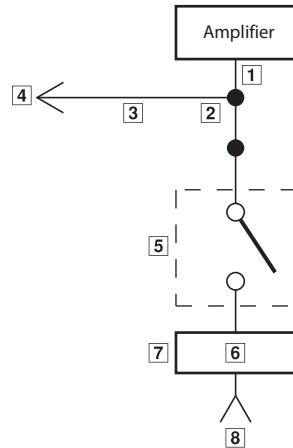
Remote Turn-On Lead

- The head unit does not have a remote turn-on or power antenna lead.
- The head unit's power antenna lead is activated only when the radio is on (turns off in the tape or CD Mode).
- The head unit's power antenna lead is logic level output (+) 5 V, negative trigger (grounding type), or cannot sustain (+) 12 V when connected to other equipment in addition to the vehicle's power antenna.

If any of the above conditions exist, the remote turn-on lead of your S2-A120M/S2-A60M must be connected to a switched power source (ignition) in the vehicle. Be sure to use a 3 A fuse as close as possible to this ignition tap. Using this connection method, the S2-A120M/S2-A60M will turn on and stay on as long as the ignition switch is on.

If this is objectionable, a SPST (Single Pole, Single Throw) switch, in addition to the 3 A fuse mentioned above, may be installed in-line on the S2-A120M/S2-A60M turn-on lead. This switch will then be used to turn on (and off) the S2-A120M/S2-A60M. Therefore, the switch should be mounted so that is accessible by the driver. Make sure the switch is turned off when the vehicle is not running. Otherwise, the amplifier will remain on and drain the battery.

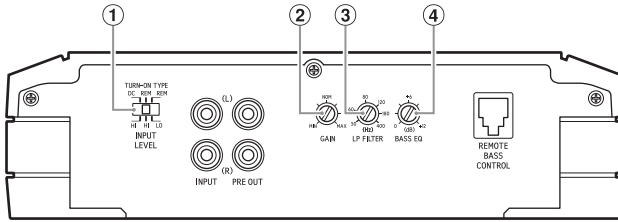
- Blue/White
- Power Antenna
- Remote Turn-On Lead
- To other Alpine component's Remote Turn-On Leads
- SPST Switch (optional)
- Fuse (3 A)
- As close as possible to the vehicle's ignition tap
- Ignition Source



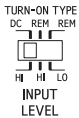
SWITCH SETTINGS

- Before switching each Selector Switch, turn off the power and insert a small screwdriver, etc., perpendicularly to the Switch.

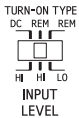
S2-A120M/S2-A60M



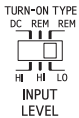
① Input Level and Turn-on Type Switch



- a) If input is via the head unit speaker line using a speaker-RCA conversion cable (sold separately), set to "HI".
TURN-ON TYPE "DC":
Power is turned on by the "REMOTE SENSING" function when DC offset is detected.



- b) If input is via the head unit speaker line using a speaker-RCA conversion cable (sold separately), set to "HI".
TURN-ON TYPE "REM":
Power is turned on by the remote turn-on lead.



- c) If input is via the head unit pre-out line using an RCA extension cable (sold separately), set to "LO".
TURN-ON TYPE "REM":
Power is turned on by the remote turn-on lead.

- The DC offset auto turn-on circuit was designed to work with ONLY high level signals (i.e., speaker level signals). These high level signals usually come from the amplified output of radios, head units, and amplifiers. Because LO signal input (i.e., low level signals) cannot turn on the amplifier, the REMOTE trigger signal must be supplied and the REM setting needs to be used for LO signal input.*

* For details on turning on the unit with the ACC trigger signal, see the Remote Turn-On Lead (⑤) section (page 6).

② Input Gain Adjustment Control

Set the S2-A120M/S2-A60M input gain to the minimum position. Using a dynamic CD as a source, increase the head unit volume until the output distorts. Then, reduce the volume 1 step (or until the output is no longer distorted). Now, increase the amplifier gain until the sound from the speakers becomes distorted. Reduce the gain slightly so the sound is no longer distorted to achieve the optimum gain setting.

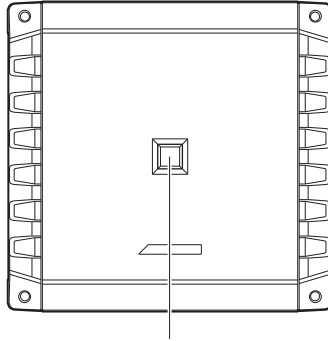
③ Crossover Frequency Adjustment Knob (LP FILTER)

Use this control to adjust the crossover frequency between 50 Hz to 400 Hz.

④ Bass EQ Adjustment Knob

Add a 50 Hz bass boost up to +12 dB to tune your bass response.

About Power Indicator



Power Indicator

Lights up when power is on.
Is off when power is off.

| Indication color | Status | Solution |
|-------------------|--|---|
| Blue | Amplifier circuit is normal. | |
| Red (blinking) | Operating temperature is high. | Turn down the volume of the head unit (input signal). Decrease the vehicle's interior temperature to a normal level. The indicator color changes to blue. |
| Red | Amplifier circuit is abnormal. An electrical short has occurred, or supply current is too high. | Turn off the power supply and eliminate the cause. Then turn on the unit and verify that the indicator color has changed to blue. If it remains red, turn off the unit and consult your dealer. |
| | Operating temperature is too high. | Decrease the vehicle's interior temperature to a normal level. The indicator color changes to blue. |
| | Power supply voltage is too high. | Use the correct power supply voltage. The indicator color changes to blue. |

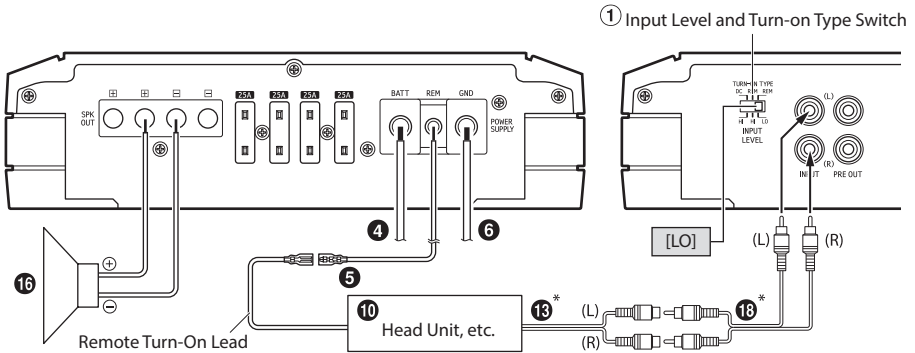
SYSTEM DIAGRAMS

Before making a connection, check the total number of impedance of the speaker connected to the unit. If you have any questions, contact the nearest Alpine dealer.

Basic Connection Diagram

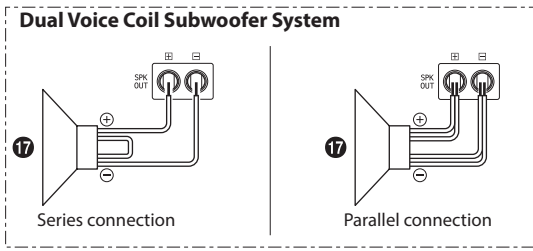
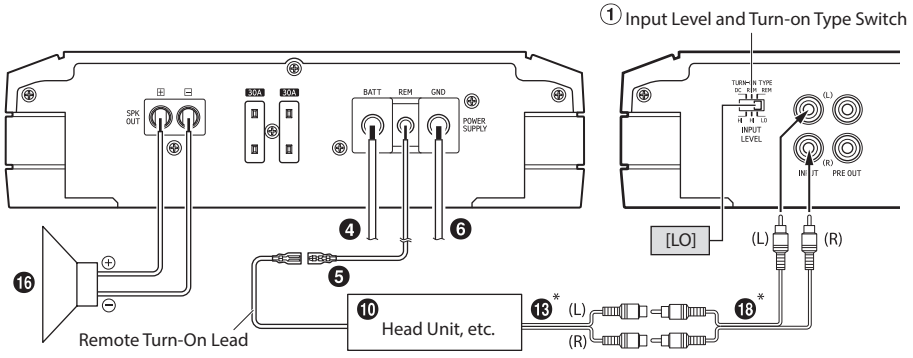
- | | |
|--|---|
| <ul style="list-style-type: none"> ❶ Speaker Output Terminals ❷ Fuse ❸ Power Supply Terminal ❹ Battery Lead (sold separately) ❺ Remote Turn-On Lead (sold separately) ❻ Ground Lead (sold separately) ❼ RCA Input Jacks ❽ Pre-Out Jacks ❾ Remote Bass Control (optional) ❿ Head Unit, etc. | <ul style="list-style-type: none"> ⓫ Front Output ⓬ Rear Output ⓭ Subwoofer Output ⓮ Front Speakers ⓯ Rear Speaker ⓰ Subwoofer ⓱ Dual Voice Coil Subwoofer ⓲ RCA Extension Cable (sold separately) ⓳ Speaker-RCA Conversion Cable (sold separately) ⓴ Y-Adapter (sold separately) |
|--|---|

Subwoofer System for S2-A120M



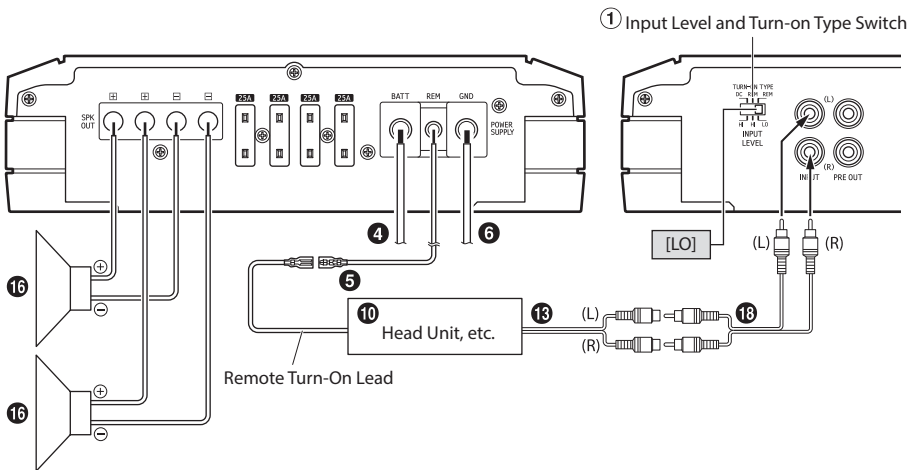
* If the connected head unit does not have a Speaker Output and RCA Extension Cable (❷) cannot be used, you can use the Speaker-RCA Conversion Cable (❸) (sold separately). For details on how to make a connection, see "About Connecting to the Speaker Input Level System" (page 14).

Subwoofer System for S2-A60M

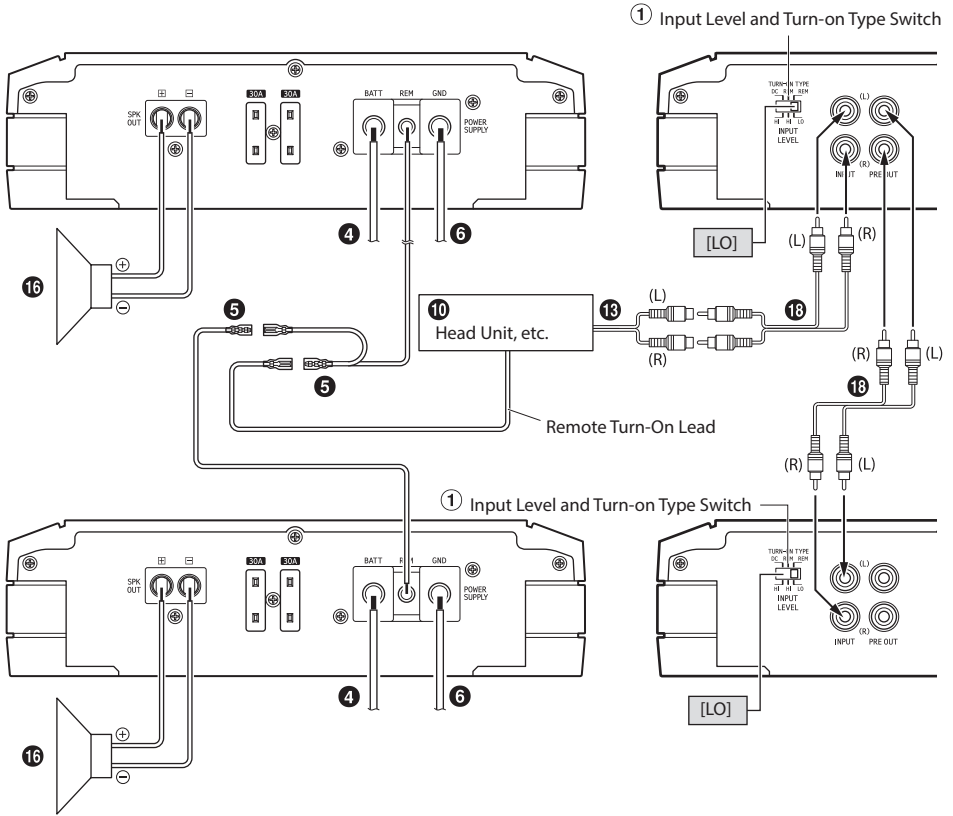


* If the connected head unit does not have a Speaker Output and RCA Extension Cable (18) cannot be used, you can use the Speaker-RCA Conversion Cable (19) (sold separately). For details on how to make a connection, see "About Connecting to the Speaker Input Level System" (page 14).

2 Subwoofer System for S2-A120M

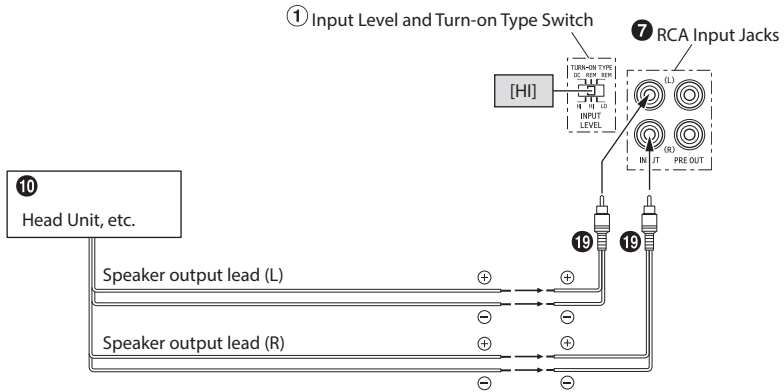


Multiple Mono Amplifier System for S2-A60M



■ About Connecting to the Speaker Input Level System

When connecting by using the Speaker-RCA Conversion Cable (19) (sold separately), switch the Input Level and Turn-on Type Switch (1) to "HI".



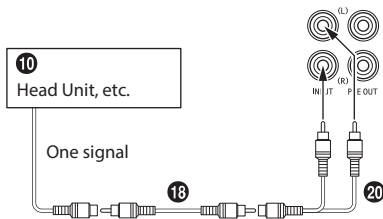
- Do not mistake the Speaker Output Lead on the head unit side connected to this unit.

■ Important Tips on Connection with Y-adapter

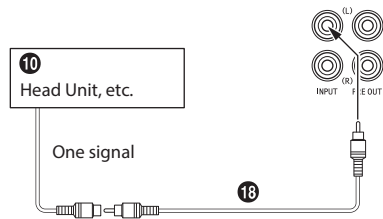
Low output will result if only one channel input is used. The Y-adapter is required if Head Unit, etc. has only a one signal output.



Proper connection



Improper connection

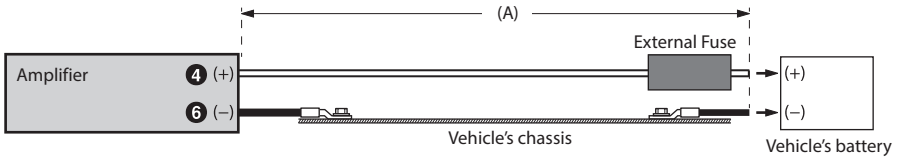


■ Cautions on Power Supply Wires

Use the specified wire size according to the total fuse capacity of the amplifier to be installed and the wire length. For details on the wire size to be used, refer to the supplied “Cautions on Power Supply Wires Connection” and the following connection example.

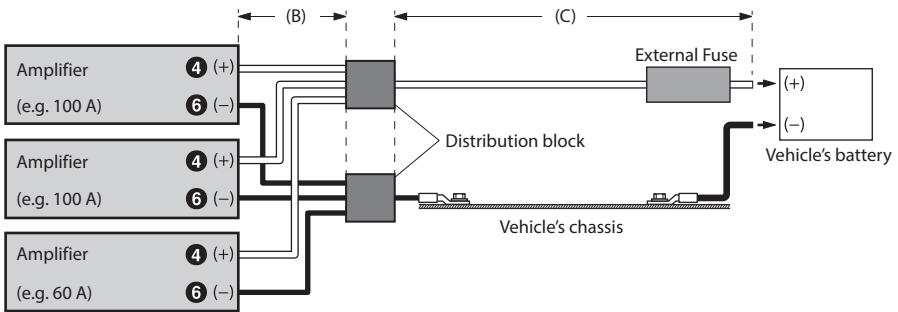
Connection example when installing an amplifier alone

- When the wire length from the amplifier to the vehicle's battery is (A)
Wire size used for (A):
S2-A120M: 4 AWG/21 mm² (Max. length 4.5 m)
S2-A60M: 4 AWG/21 mm² (Max. length 10 m)
- External Fuse capacity: Make it equal to or larger than the fuse capacity of the amplifier
S2-A120M: equal to or larger than 100 A
S2-A60M: equal to or larger than 60 A



Connection example when installing two amplifiers with a fuse capacity of 100 A and one amplifier with 60 A

- When the wire length from each amplifier to the distribution block is 1 m
Wire size used for (B): 8 AWG/8 mm²
- When the wire length from the distribution block to the vehicle's battery is 6 m
Wire size used for (C): 1/0 AWG/53 mm² (or 4 AWG × 2/21 mm² × 2)
- External Fuse capacity: Make it equal to or larger than total fuse capacity of the number of amplifiers installed
100 A + 100 A + 60 A = equal to or larger than 260 A



NOTE:

- If the length of the power and ground cables exceed 1 m, or if you connect more than one amplifier, a distribution block should be used.

SPECIFICATIONS

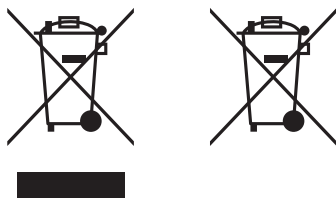
| | | S2-A120M | S2-A60M |
|--------------------|---|-----------------------------------|-----------------------------------|
| Performance | | | |
| Power Output | Per Channel, Ref.: 4 Ω , 14.4 V | 600 W RMS x 1 | 330 W RMS x 1 |
| | Per Channel, Ref.: 2 Ω , 14.4 V | 1,200 W RMS x 1 | 600 W RMS x 1 |
| | Per Channel, Ref.: 1 Ω , 14.4 V | 1,200 W RMS x 1 | 600 W RMS x 1 |
| THD+N | Ref.: 10 W into 4 Ω | $\leq 0.03\%$ | $\leq 0.03\%$ |
| | Ref.: 10 W into 2 Ω | $\leq 0.05\%$ | $\leq 0.05\%$ |
| | Ref.: 10 W into 1 Ω | $\leq 0.05\%$ | $\leq 0.05\%$ |
| | Ref.: Rated Power into 4 Ω | $\leq 0.2\%$ | $\leq 0.2\%$ |
| | Ref.: Rated Power into 2 Ω | $\leq 1.0\%$ | $\leq 1.0\%$ |
| S/N Ratio | IHF A-wtd + AES-17 Ref.: 1 W into 4 Ω | >85 dB | >85 dB |
| | IHF A-wtd + AES-17 Ref.: Rated Power into 4 Ω | >107 dB | >105 dB |
| | | | |
| Frequency Response | +0/-3 dB, Ref.: 1 W into 4 Ω | 10 Hz - 400 Hz | 10 Hz - 400 Hz |
| | +0/-1 dB, Ref.: 1 W into 4 Ω | 20 Hz - 300 Hz | 20 Hz - 300 Hz |
| Damping Factor | Ref.: 10 W into 4 Ω at 100 Hz | >750 | >1,000 |
| Control | | | |
| Input Sensitivity | RCA Input Ref.: Rated Power into 4 Ω | Hi: 0.5 - 10 V Lo: 0.2 - 4.0 V | Hi: 0.5 - 10 V Lo: 0.2 - 4.0 V |
| Crossover | Variable LPF | 50 Hz - 400 Hz (-24 dB/oct.) | 50 Hz - 400 Hz (-24 dB/oct.) |
| Equalizer | Bass EQ ($f_c=50$ Hz) | 0 to +12 dB (Variable) | 0 to +12 dB (Variable) |
| Remote Level* | Linear Attenuation | 0 to -20 dB | 0 to -20 dB |
| General | | | |
| Input Impedance | | >10 k Ω | >10 k Ω |
| Preamp Output | CH-1/2 Input Pass-through, Buffered | 4 V max | 4 V max |
| Dimensions | Width | 352 mm (13-1/8") | 220 mm (8-11/16") |
| | Height | 56.5 mm (2-1/4") | 56.5 mm (2-1/4") |
| | Depth | 210 mm (8-1/4") | 210 mm (8-1/4") |
| Weight | | 4.0 kg (8 lb 11oz) | 2.2 kg (4 lb 13 oz) |

* Requires optional RUX-KNOB.2.

NOTE:

- Specifications and design are subject to change without notice.

To customers/Hinweis an Kunden/A l'attention de l'utilisateur/ Información para los clientes/Informazioni per i clienti/ Till kunder



ENGLISH

Information on Disposal of Old Electrical and Electronic Equipment and Battery (applicable for countries that have adopted separate waste collection systems)

If you want to dispose this product, do not mix it with general household waste. There is a separate collection system for used electronic products in accordance with legislation that requires proper treatment, recovery and recycling. Contact your local authority for details in locating a recycle facility nearest to you. Proper recycling and waste disposal will help conserve resources whilst preventing detrimental effects on our health and the environment.

DEUTSCH

Informationen zur Entsorgung von Elektro- und Elektronikgeräten und Batterien (anwendbar für Länder, die ein separates Sammelsystem übernommen haben)

Wenn Sie dieses Produkt entsorgen wollen, entsorgen Sie dies nicht über den normalen Hausmüll. Es gibt ein separates Sammelsystem für gebrauchte elektronische Geräte in Einklang mit den Rechtsvorschriften, die eine angemessene Behandlung, Verwertung und Recycling erfordert. Kontaktieren Sie Ihre lokale Behörde für Details bei der Suche nach einer Recycling-Anlage Ihrer Nähe. Ordnungsgemäße Verwertung und Entsorgung trägt dazu bei, Ressourcen zu schonen und schädliche Auswirkungen auf unsere Gesundheit und die Umwelt zu verhindern.

FRANÇAIS

Information sur le traitement des Déchets Electriques et Electroniques (DEEE), pour les pays ayant adopté un traitement séparés de ces déchets

Si vous possédez des appareils Electriques ou Electroniques usagés, ne les jetez pas dans le système général. Conformément à la Directive Européenne, transposée dans votre pays, il existe un système séparé de recyclage et de traitement de ces déchets. Veuillez contacter l'administration locale afin de prendre connaissance du lieu de recyclage et de traitement le plus proche de chez vous. Ce système est destiné à protéger l'environnement.

ESPAÑOL

Información sobre la eliminación de Viejos Equipos Eléctricos y Electrónicos, así como Baterías (aplicable en los países que han adoptado sistemas de recogida selectiva de residuos)

Si desea deshacerse de este producto, no lo mezcle con los residuos generales de su hogar. Existe un sistema de recogida selectiva para aparatos electrónicos usados de acuerdo a la legislación, que requiere un tratamiento adecuado de recuperación y reciclado. Póngase en contacto con las autoridades locales para obtener más información sobre el punto de recogida y tratamiento más cercano. El apropiado reciclado y eliminación de residuos ayuda a conservar los recursos y a contribuir en la prevención de los efectos negativos y perjudiciales sobre nuestra salud y el medio ambiente.

ITALIANO

Avvertenze sullo smaltimento di dispositivi elettronici usati o usati e delle batterie (valido per quei paesi che hanno adottato il sistema di raccolta differenziata)

In caso di smaltimento del prodotto, non gettarlo assolutamente insieme ai rifiuti domestici. Esiste un sistema di raccolta differenziata per prodotti elettronici conforme alle leggi che regolano il trattamento, il deposito e il riciclo. Contattare le autorità locali per ulteriori informazioni e per trovare il punto di raccolta più vicino alla vostra abitazione. Un corretto riciclo e un appropriato smaltimento dei rifiuti contribuirà a conservare le risorse e a prevenire effetti nocivi sia sulla salute che sull'ambiente.

SVENSKA

Information om återvinning av avfall från elektriska och elektroniska produkter och batterier (tillämpligt för länder som har infört system för återvinning och sortering av avfall)

Om du vill slänga denna produkt, blanda den ej med vanliga hushållsoppor. Det finns ett separat direktiv för elektronikåtervinning som kräver rätt hantering av förbrukade produkter. Kontakta din kommun angående information om var du kan lämna den för återvinning. Rätt återvinning och sophantering sparar jordens resurser och vår hälsa samt miljö.



アルパインマーケティング株式会社

〒145-0067 東京都大田区雪谷大塚町1番7号
電話：03-5499-4531

ALPS ALPINE NORTH AMERICA, INC.

1500 Atlantic Blvd.
Auburn Hills, Michigan 48326, U.S.A.
Phone 1-800-ALPINE-1 (1-800-257-4631)

ALPS ALPINE EUROPE GmbH

Ohmstrasse 4, 85716 Unterschleissheim, Germany
Phone: +49 (0) 89-32 42 640
For contact information on your respective country,
please visit www.alpine-europe.com.

ALPS ALPINE EUROPE GmbH

Aurora House, Deltic Avenue, Rooksley, Milton Keynes,
MK13 8LW, United Kingdom
Phone: 0345-313-1640

ALPINE ELECTRONICS OF AUSTRALIA PTY., LTD.

161-165 Princes Highway,
Hallam Victoria 3803, Australia
Phone 03-8787-1200

ALPS ALPINE ASIA CO., LTD.

The 9th Towers, Tower B, 24th Floor, Unit TNB01-03,
33/4 Rama 9 road, Huay Kwang, Bangkok, 10310, Thailand
Phone +66 (2) 090 9596