

//////ALPINE

PWE-M770

**150W M-Series Powered Subwoofer
with Bass Controller**



Owner's Manual

ALPINE ELECTRONICS OF AUSTRALIA PTY. LIMITED





161-165 Princes Highway,
Hallam Victoria 3803, Australia
Phone 03-8787-1200

ALPS ALPINE ASIA CO. LTD.

The 9th Towers, Tower B, 24th Floor, Unit TNB01-03,
33/4 Rama 9 road, Huay Kwang, Bangkok, 10310, Thailand
Phone +66 (2) 090 9596

Operation Instructions

Types of Precautions

 Prohibited	Indicates a prohibited action (must not be performed).
 Prohibited	Indicates that disassembly is prohibited.
 Mandatory	Indicates a mandatory operation (must be performed).
	Indicates that it should draw your close attention.

Warning

In case of problems, please stop using the device immediately.

Continued use may result in personal injury or damage to the product. Please return the product to the authorised Alpine dealer or nearby Alpine service center for repair.

The product is only suitable for 12V negative-grounded vehicles.

Use within other types of vehicles may create a fire or electrical hazard.

Please contact a professional for wiring and installation.

This product requires professional expertise to wire and install. Please contact the dealer from whom you bought the product to install it safely.

Please do not disassemble or refit.

Doing so may result in product damage, fire or electrical hazard.

Small items like bolts or screws must be kept out of the reach of children.

If ingested, please seek Immediate medical attention to avoid serious injury.

Please do NOT use functions that may distract you while driving.

Any device function that may influence your attention must be used only when the vehicle is stopped completely. To use these functions, make sure to stop your vehicle in a safe area first. Otherwise, it may result in an accident.

While driving, you must maintain the volume at a level that allows outside noise to remain audible.

It is very dangerous not to hear an emergency vehicle alarm or road warning signal (such as a railway crossing) and may result in an accident. Moreover, excessively loud volume may create permanent hearing damage or hearing loss.

Caution

Product maintenance

Please regularly clean the item with a soft, dry cloth. For tough stains, use only water to dampen the cloth as other solvents may result in dissolution.

Temperature

Before starting the device, please ensure that the temperature inside the vehicle is between -20°C and 60°C.

Repair

In the case of a problem, please do not attempt to repair the product yourself. Please return the product to the authorised Alpine dealer or Alpine service center.

System matching

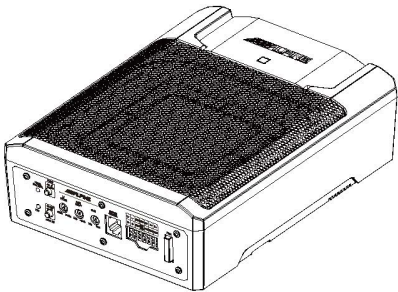

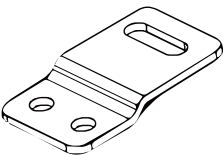

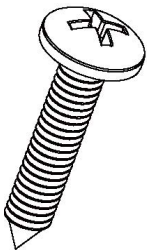

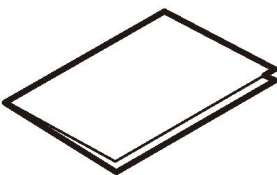
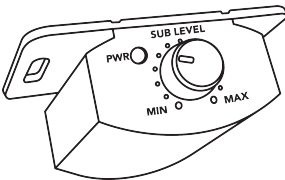
When using low-level input signals, high-level input signals cannot be connected. Please choose one of the two connection methods.

Installation environment

The device cannot be installed at the following locations:

- Under direct sunlight or near a source of heat.
- With high humidity or near a source of water.
- Dusty environments.
- Environments with violent vibration.

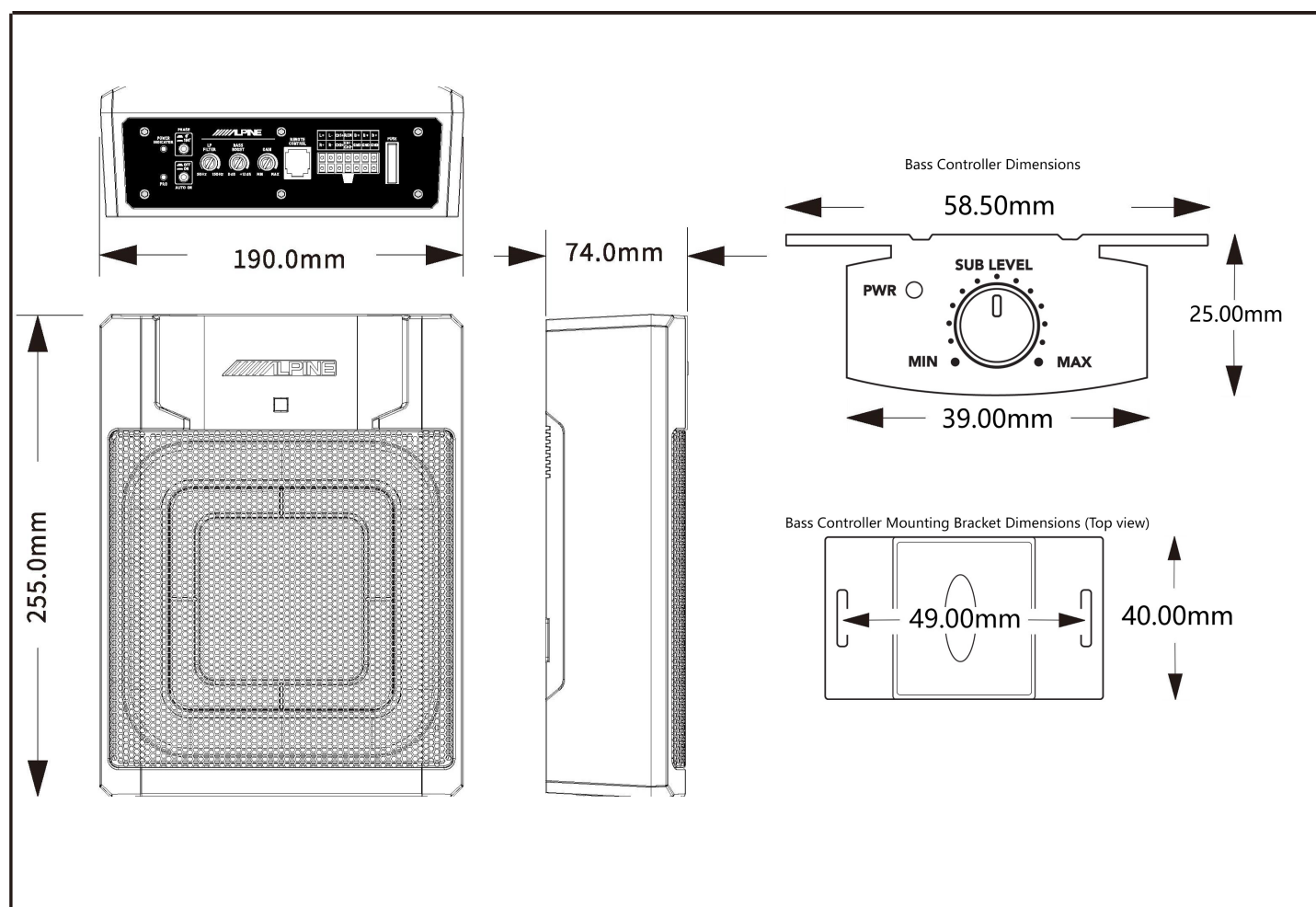
Components

Powered Subwoofer  × 1	14 Pin Connector  × 1
Mounting Bracket  × 4	Small Screw  × 8
Large Screw  × 4	Velcro Strip  × 2
Owners Manual  × 1	Bass Level Controller & Cable  × 1

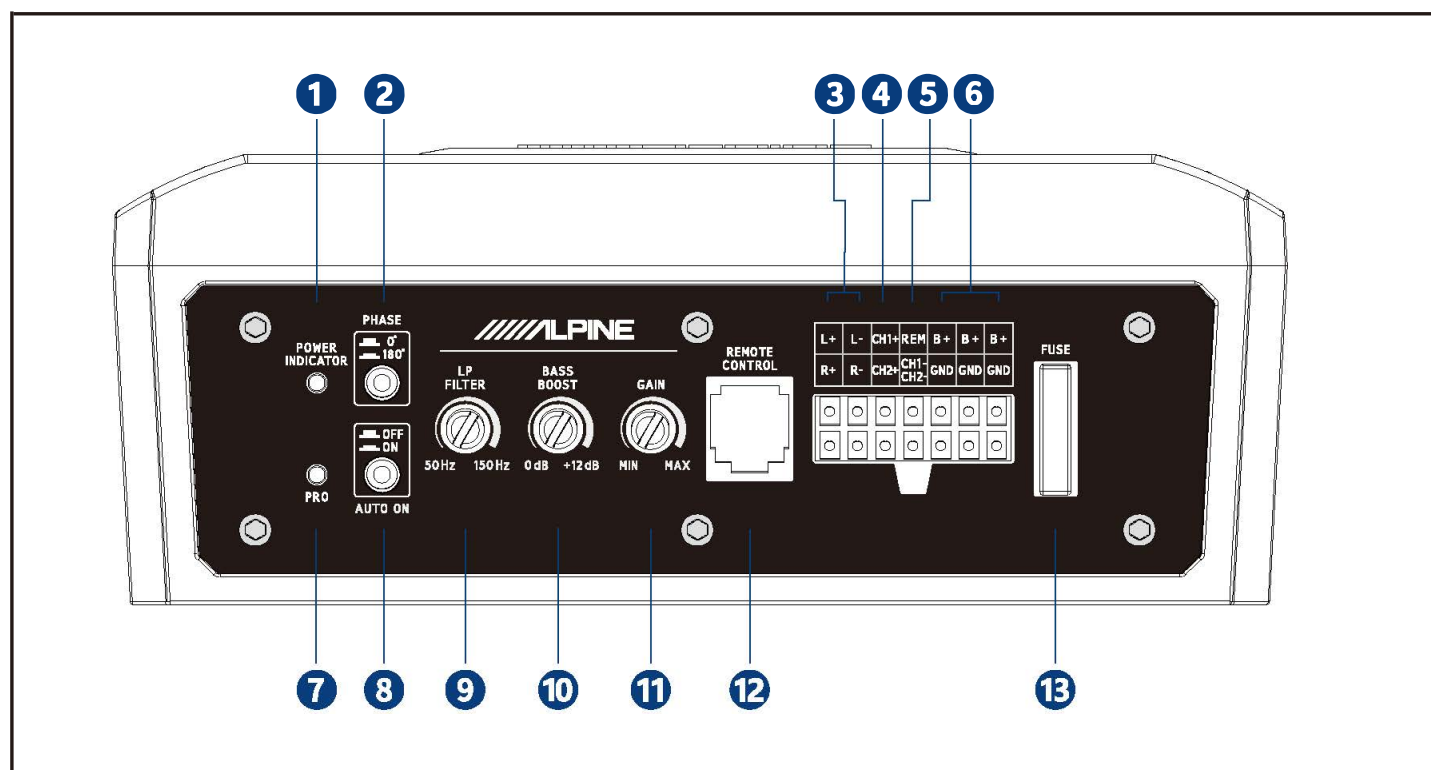
Specifications

Subwoofer	7x7" (178x178mm)
Rated Power	150W (test voltage 14.4V)
Peak Power	300W (test voltage 14.4V)
Signal to noise ratio	≥ 90dB
Distortion	≤ 0.2%
Frequency Response	10Hz-150Hz
High level input sensitivity	1V
Low level input sensitivity	100mV
Power requirements	DC 14.4V (10-16V) negatively grounded
Operating temperature	-20°C ~ 60°C
Storage Temperature	-40°C ~ 85°C
Fuse rating	25A
Dimensions	255 x 190 x 74mm
Net weight	4.0kg

Product Dimensions



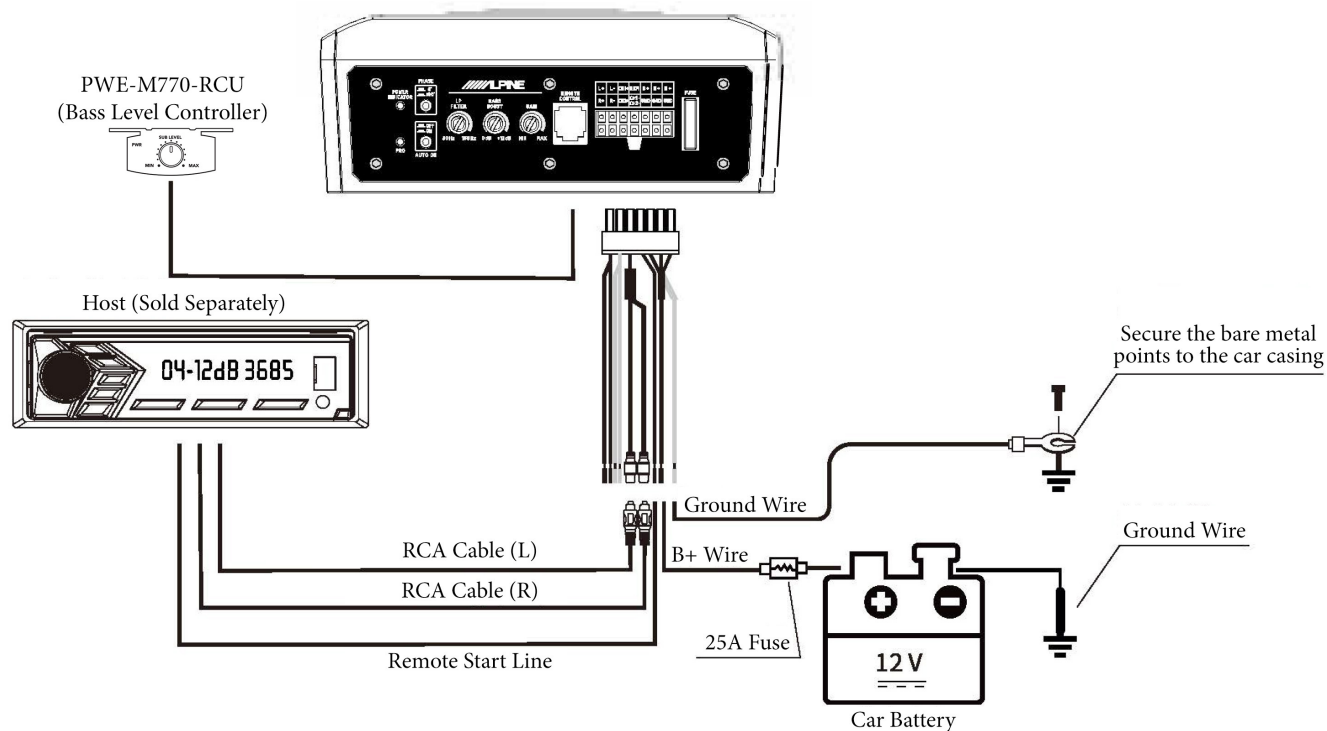
Panel Interface and Functions



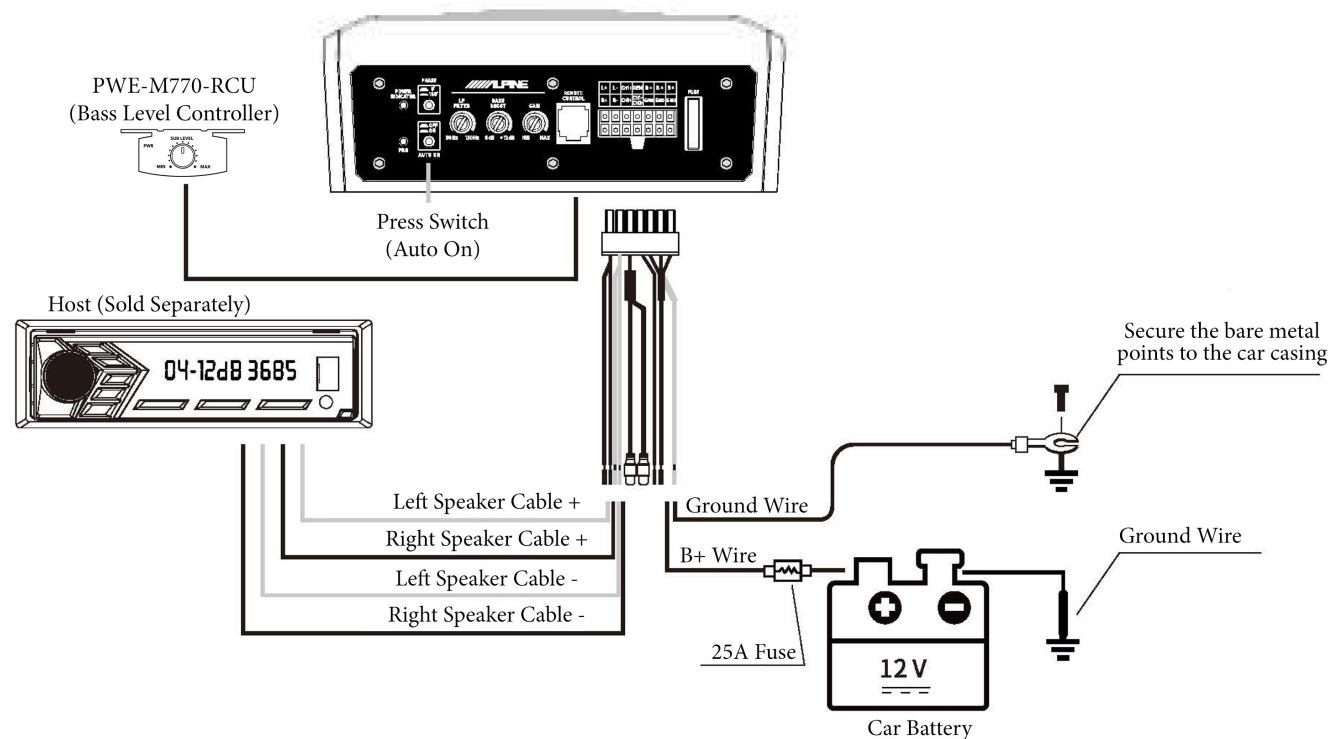
1	Power indicator	Illuminates to indicate power.
2	Phase switch	Phase selector switch.
3	High-level input port	High-level signal connection.
4	Low-level input port	Low-level signal connection.
5	REM start port	Remote start up connection port.
6	Power input port	Connect car battery.
7	Product fault indicator	If illuminated red, product is malfunctioning.
8	Automatic On/Off switch	A high level input will automatically start the device.
9	Bass filter	Low frequency crossover point adjustment.
10	Bass gain	Low frequency increase adjustment.
11	Volume	Volume control.
12	Remote Volume port	Connect PWE-M770-RCU via cable (included).
13	Fuse socket	25A fuse

Installation Connection Diagram

RCA Input Connection Diagram



High-Level Input Connection Diagram



- ⊘ Please choose one of the two connection methods, but do not use them at the same time. Failure to operate as required may result in a fire or electrical hazard.
- ⊘ It is prohibited to install bolts or nuts to the brake or steering system (or other related items), fuel tank or ground connection. Doing so may cause the vehicle to lose control and cause an accident.