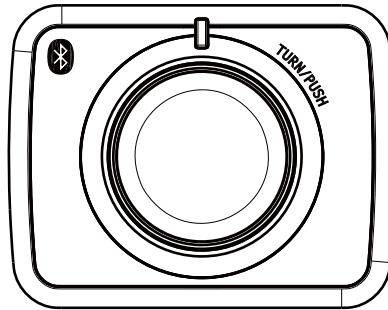


ALPINE

ALPINE WIRELESS KNOB

RUE-BK01A



Supported models

This product connects to the iLX-F509A/iLX-F511A. This product is to be mounted to the iLX-F509A/F511A. Check P3 for details.



WARNING

This symbol means important instructions. Failure to follow them can result in serious injury or death.

DO NOT DISASSEMBLE OR ALTER.

Doing so may result in an accident, fire or electric shock.

KEEP SMALL OBJECTS SUCH AS BATTERIES OUT OF THE REACH OF CHILDREN.

Swallowing them may result in serious injury. If swallowed, consult a physician immediately.

DO NOT OPERATE ANY FUNCTION THAT TAKES YOUR ATTENTION AWAY FROM SAFELY DRIVING YOUR VEHICLE.

Any function that requires your prolonged attention should only be performed after coming to a complete stop. Always stop the vehicle in a safe location before performing these functions. Failure to do so may result in an accident.

KEEP THE VOLUME AT A LEVEL WHERE YOU CAN STILL HEAR OUTSIDE NOISE WHILE DRIVING.

Failure to do so may result in an accident.

Do not ingest battery, Chemical Burn Hazard.

The remote commander contains a coin/button cell battery. If the coin/button cell battery is swallowed, it can cause severe internal burns in just 2 hours and can lead to death. Keep new and used batteries away from children. If the battery compartment does not close securely, stop using the product and keep it away from children. If you think batteries may have been swallowed or placed inside any part of the body, seek immediate medical attention. You can contact the Australian Poisons Information Centre on 13 11 26 immediately for 24/7 fast, expert advice.

Immediately and safely dispose of used Coin/Button Batteries.

Dispose of used coin/button batteries immediately. When disposing the battery place sticky tape around both sides of the battery and dispose of it out of reach of children and recycle safely.



CAUTION

This symbol means important instructions. Failure to follow them can result in injury or material property damage.

DO NOT MIX NEW BATTERIES WITH OLD BATTERIES. INSERT WITH THE CORRECT BATTERY POLARITY.

Risk of explosion if battery is replaced by an incorrect type. dispose of used batteries according to the instructions. When inserting the batteries, be sure to observe proper polarity (+ and -) as instructed.

Handling Precautions

Do not drop or apply shock to the unit. It may get permanently damaged.

Keep the unit away from water and moisture, direct sun and heat, and excessive dust.

Never use scouring pads, steel wool, abrasive powders or harsh chemical agents, such as lye solution, for cleaning.

Clean with a soft, lint-free cloth or cotton swab slightly dampened with a mild solution of detergent and water.

Do not operate this unit in a manner that could distract you from driving safely.

Installation of Remote Control Holder

Do not leave the remote control mounted on the holder, if it is direct sunlight. Remove the remote control from the holder and put it in the glove compartment.

If double-sided adhesive tape cannot install the holder securely, use screws.

When mounted to the Audio/Video Receiver, do not press the unit hard to operate it. The Audio/Video Receiver may be damaged.



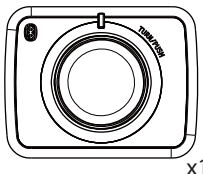
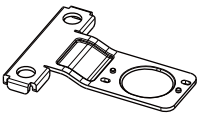
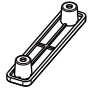


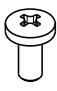
WARNING

KEEP OUT OF REACH OF CHILDREN
Swallowing can lead to chemical burns, perforation of soft tissue, and death. Severe burns can occur within 2 hours of ingestion. Seek medical attention immediately.

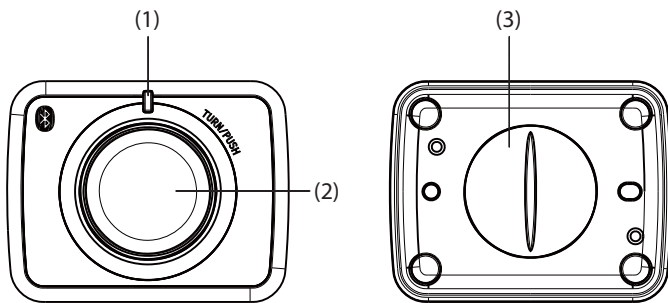


WARNING: Contains button / coin cell battery. Hazardous if swallowed – see instructions

Attachment

RUE-BK01A  x1	Mounting Bracket1  x1	Mounting Bracket2  x1
Battery  (CR2032) x1	Screw1  x2	Screw2  x2

Location of Controls



(1) LED Indicator

It turns on when the unit is connected/operated.

(2) Rotary Knob

To turn the volume up and down, respectively.

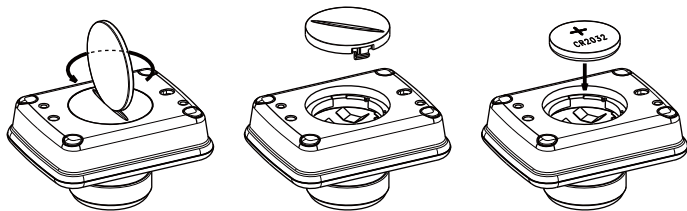
(3) Lid

Turn counter-clockwise to open the lid.

Connecting the unit

1. Insert the battery using the following procedure:

* Ensure the positive (+) side faces up as shown in the illustration below.



To lock the battery and cover in place, the battery cover must be firmly turned clockwise, ensuring that the lock is engaged with a click sound and the cover cannot be turned further.

When the battery is set, the unit enters the connection stand-by mode. While the LED is flashing, perform the procedure in Step 2.

If the LED turns off while performing the procedure in Step 2, press the Rotary Knob. The LED starts flashing again.

2. Operate the Audio/Video Receiver using the following procedure:

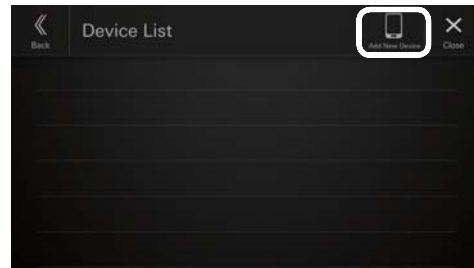
1) Select [Setup].



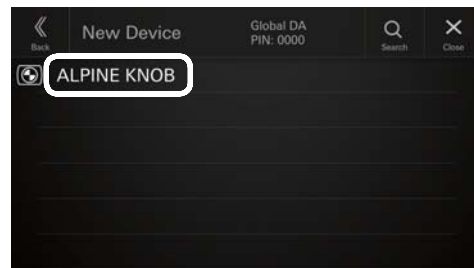
2) Select [Device], then [Device List].



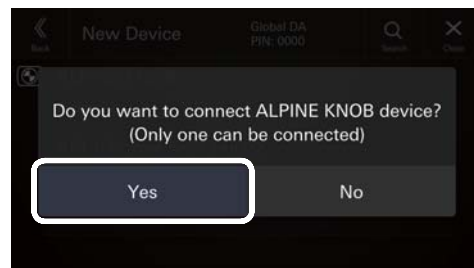
3) Select [Add New Device].



4) Select [ALPINE KNOB].



5) Select [YES] when the screen below is displayed.



MEMO

When the Audio/Video Receiver is off for a certain period of time, the unit is disconnected. The unit is reconnected automatically when the Audio/Video Receiver is turned on and the Rotary Knob is operated.
* It may take some time for the unit to reconnect in some situations.

Operating the unit

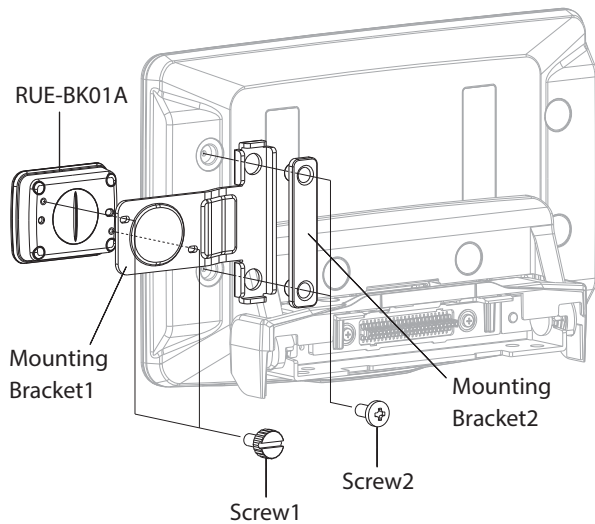
1. The unit supports the following operation:

- Turning the Rotary Knob: Volume up/down
- Pressing the Rotary Knob: Camera screen display
 - * Press the knob to toggle between front and rear camera (if present).
- Pressing and holding the Rotary Knob: Camera screen display off

If the device does not function after making a connection, follow the procedure on page 2 to replace the battery and then try reconnecting.

Installation Mounting

1. The enclosed mounting bracket is to be used to mount the unit to iLX-F509A/F511A. (The unit can be mounted on the left or right side).



Bluetooth SECTION

Bluetooth Specification	Bluetooth LE class 2 2,402 to 2,480 MHz [max. -3.62dBm / 0.8mW (EIRP)]
Profile	HOGP



ALPINE ELECTRONICS OF AUSTRALIA PTY. LIMITED

161-165 Princes Highway,
Hallam Victoria 3803, Australia